



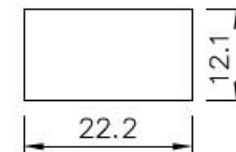
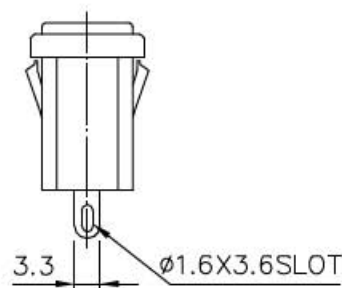
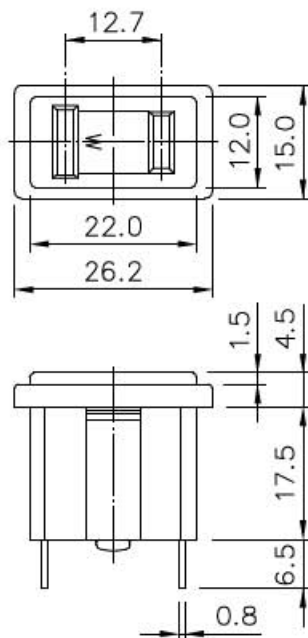
Socket (Connector)



**3512
SERIES**

SPECIFICATION

RATING	: 15A 125VAC
INSULATION RESISTANCE	: DC 500V 100MΩ OR MORE
WITHSTAND VOLTAGE	: AC 1500V FOR 1 Min
AMBIENT TEMPERATURE	: 0°C TO 55°C



MOUNTING HOLE
(FOR REFERENCE)
PANEL THICK { 1.0~1.2
 { 2.0~2.5