

## ACT ZTACC SMD Resonators

The ACT ZTACC family of Ceramic SMD Resonators offers a cost effective solution to those applications requiring a wide temperature range together with accuracy.

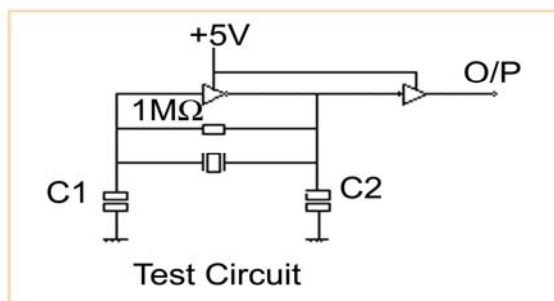
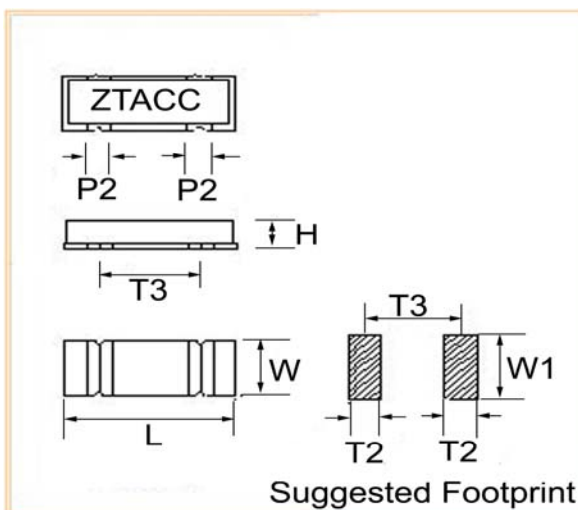


### Specification

Part Type/ Number	Frequency Range MHz	Test IC	Vdd	Frequency accuracy @25°C (%)	Stability over temp. range (-20 +80°C)(%)	Aging over 10 years (%)	Internal Cap. (pF) C1 & C2
ZTACC MG	2.0 ~ 8.0	CD4069UBE x 2	+5V	±0.5	±0.3	±0.3	30 EXTERNAL

Vibration mode : Thickness Shear

Operable temperature range -25~+85°C



Dimensions (mm) Tolerance ±0.2							
L	W	H	P1	P2	T2	T3	W1
7.4	3.4	1.8	1.2	1.2	1.7	5.0	4.0

### Important note when using Ceramic resonators with IC's.

Some resonator parameters vary considerably with frequency and physical construction/size. These differences are too great to be able to be practically shown in a data sheet. However, these parameters can be critical when the resonators are used with ICs. Even if two different resonators appear to have the same specification the typical values of these critical parameters can be considerably different. When enquiring about resonators for use with ICs, it is important to supply the make and part number of the IC to be used and/or the list of recommended resonators, if this is given. Applications can be characterised to ensure perfect matching to the resonator, enquire.

Please note that all parameters can not necessarily be specified in the same device

Customer to specify : Frequency

ISO9001 Registered

For quotations or further information please contact us at:

3 The Business Centre, Molly Millars Lane, Wokingham, Berkshire, RG41 2EY, UK

<http://www.actcrystals.com>

Issue :13 C1r

Date : 16/05/2012