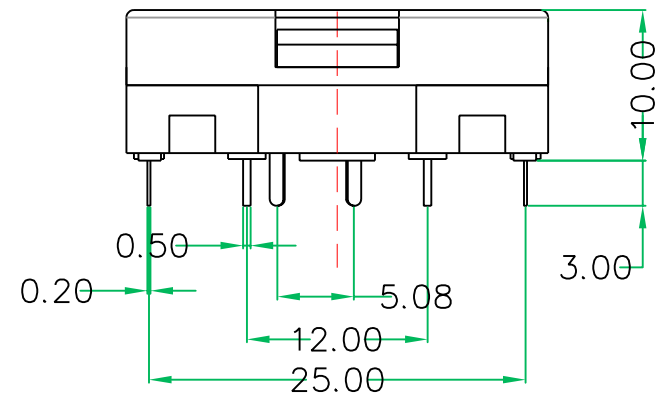
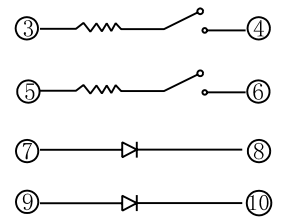
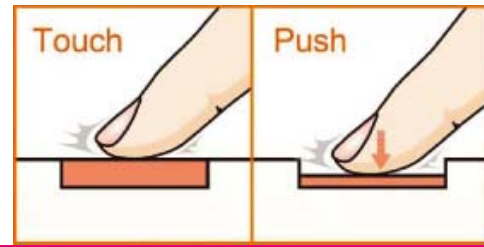
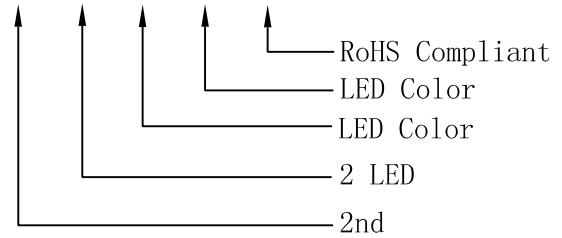


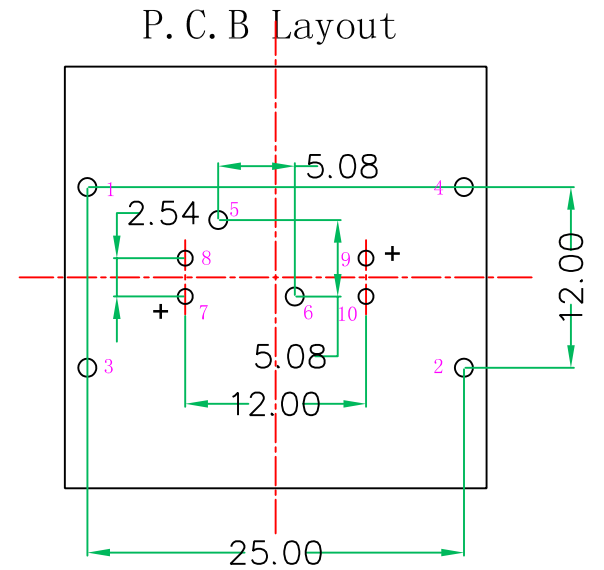
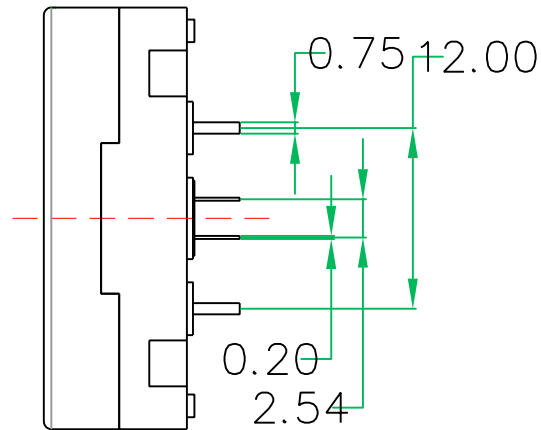
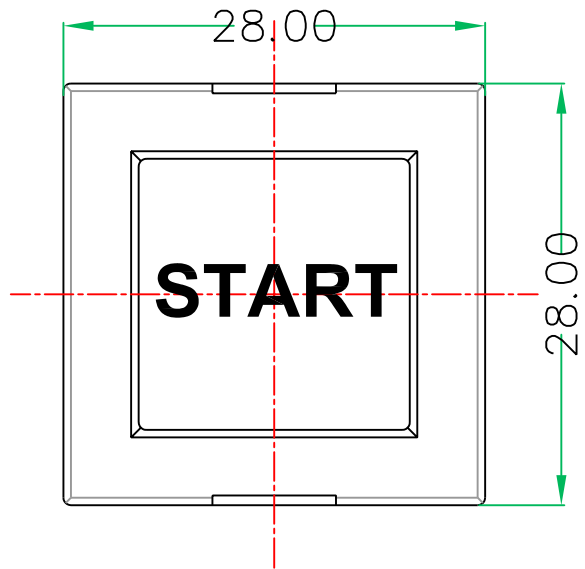
Circuit (2nd)



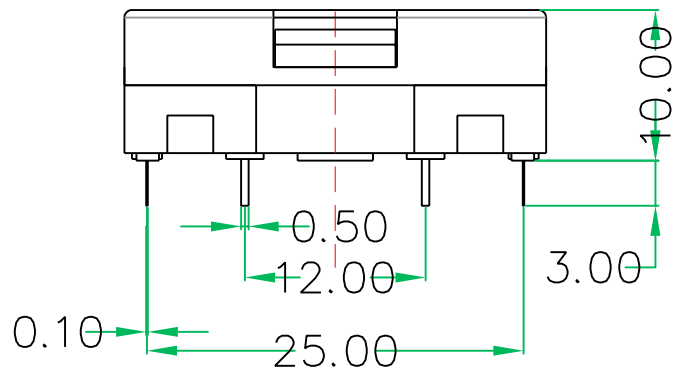
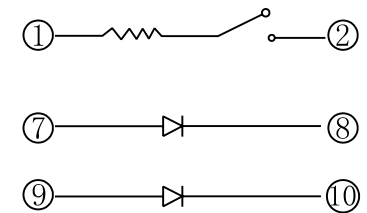
LTP-28-2-2-X-X-H



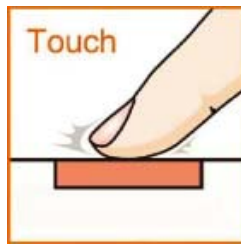
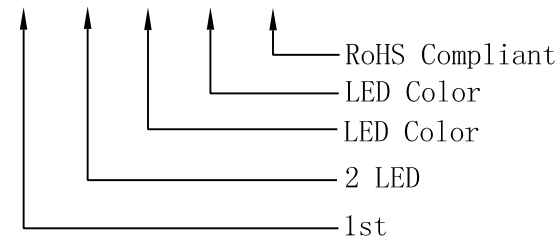
Tolerance						Approved	Quantity	1	SH 興瀚企業股份有限公司 SALECOM. ELECTRONICS CO., LTD.	PART NAME: Touch Switches	
L<10	±0.2					Checked	Scale	1:1			
10<L<30	±0.3	1	A0	New	Ken	10.1.6	Unit	mm	Material: Finished:	PART NO. LTP-28-2-2-X-X-H	
L>30	±0.5	NO.	Edition	Modified Contents	Name	Date	Design	Edition		A0	



Circuit (1st)



LTP-28-1-2-X-X-H



Tolerance						Approved		Quantity	1	SH 興瀚企業股份有限公司 SALECOM. ELECTRONICS CO., LTD.	PART NAME: Touch Switches	
L<10	±0.2					Checked		Scale	1:1			
10<L<30	±0.3	1	A0	New	Ken	10.1.6	Draw	Unit	mm	Material: Finished:	PART NO. LTP-28-1-2-X-X-H	
L>30	±0.5	NO.	Edition	Modified Contents	Name	Date	Design	Edition	A0			