

JS-606 (S.P rocker switch) / JS-606P (DP. rocker switch)

SPECIFICATIONS

- Rating: K/ 6A 125VA/3A 250VAC (UL~CSA)
H/ 10A 125VAC/ 6A 250VAC (UL-KEMA)
L/ 5A 125VAC
T/ 16A 125VAC/10A 250VAC T105
- CONTACT RESISTANCE: 30 mΩ(max)
- Insulation resistance: DC 500V 100MΩ(Min)
- Dielectric strength: 1,000 VAC/ 1minute.
- Safety approval:

MATERIALS

- Housing Nylon #66 (UL 94V-2)
- Rocker Nylon #66 (UL 94V-2)
- Terminal: Copper alloy Sn or Ag Plated
- Contact: Ag-cd-O alloy
- Spring: Music wire

(A)

Model	Circuit	Terminal	Color Rocker/Housing	Stamp	Rating	RoHS code
JS-606	JS-606		B Black	1	K 6A	H = RoHS Compliant
	A 2P ON-OFF	Q	W White	2	H 10A	
	B 3P ON-ON	S	R Red	3	L 5AL	
	C 3P ON-OFF-ON	Sl	G Green	4	T 16A	
	D 2P (ON)-OFF	P	I Ivory	5		
	E 2P ON-(OFF)	PCB	H Gray	6		
	F 3P (ON)-ON	R	S Slate Gray	7		
	I 2P indicator	R1	Y Yellow	8		
	L 4P with led	PCC		9		
	AL 3P illuminated			10		
JS-606P	JS-606P			11		
	A 4P ON-OFF			12		
	B 6P ON-ON			13		
	C 6P ON-OFF-ON			14		
	D 4P (ON)-OFF			15		
	E 4P ON-(OFF)			16		
	F 6P (ON)-ON					
	AA 4P double ON-OFF					
	AB 5P ON-OFF ON-ON					
	BB 6P double ON-ON					
AI 4P ON-OFF with INDICATOR						

Stamp: Apply for JS-606

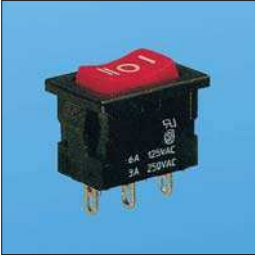
1	2	3	4	5	6	7	8	9	10	11	12	13	14	15	16

Apply for JS-606P

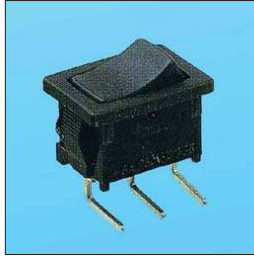
1	2	3	4	5	6	7	8	9	10	11	12	13

JS-606

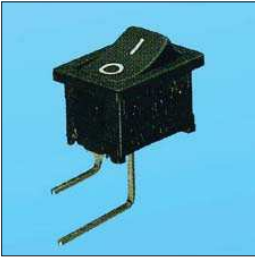
JS-606C-S-R/B-6-□



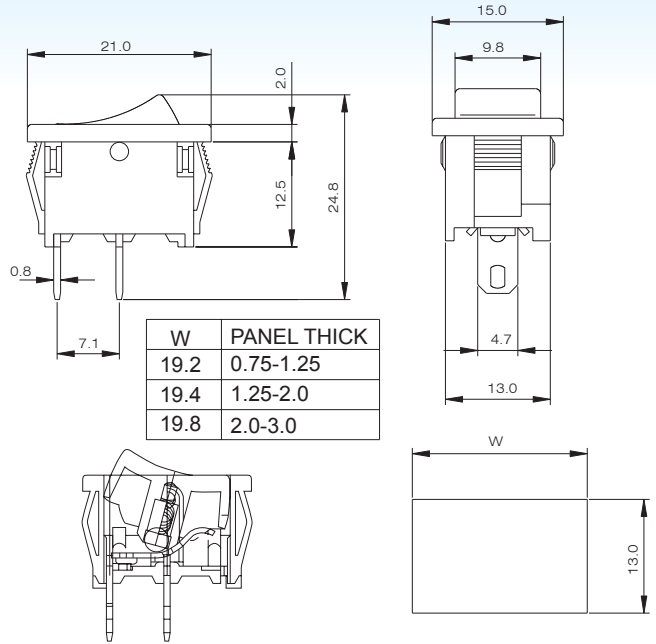
JS-606B-R-B/B-1-□



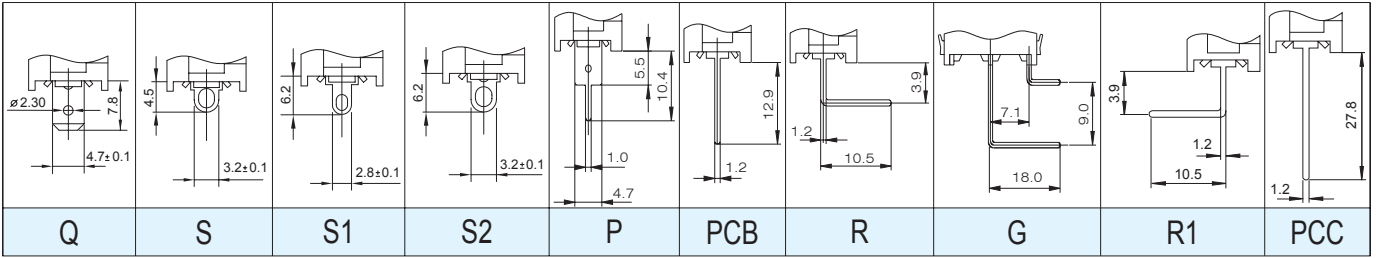
JS-606A-G-B/B-3-□



JS-606I-Q-G/B-1-□

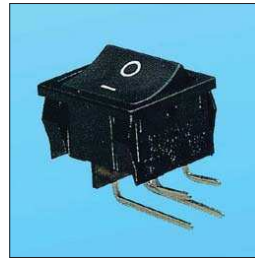


TERMINAL OPTION:



JS-606P

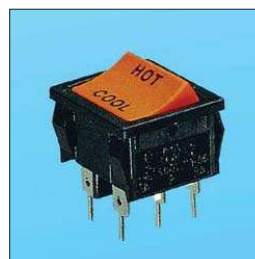
JS-606PA-R-B/B-4-□



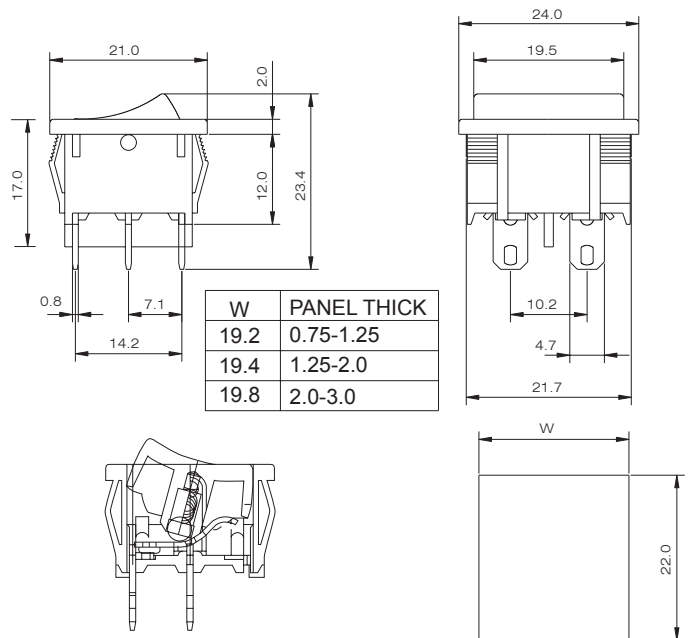
JS-606PAA-Q-B/B-1-□



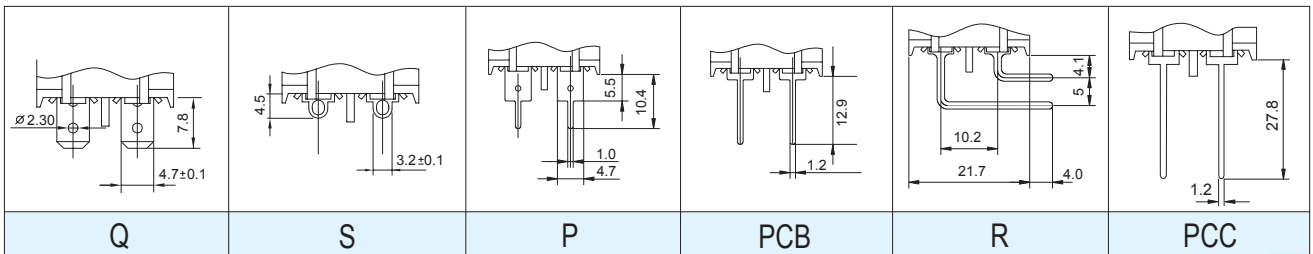
JS-606PB-P-O/B-6-□



JA-606PAI-Q-R/B-2-□



TERMINAL OPTION:



JS-606Q SERIES (D.P Mini Rocker Switch)

SPECIFICATIONS

1. Rating: 10A 125 VAC/6A 250 VAC
2. Contact resistance: 30 mΩ(max.)
3. Insulation resistance: DC 500V 100MΩ(Min)
4. Dielectric strength: 1500 VAC/ 1minute
5. Safety approval:

JS-606Q - - - -

Circuit		
B1	3P	ON-ON
B2	6P	ON-ON
C1	3P	ON-OFF-ON
C2	6P	
C3	9P	(ON)-OFF
D1	2P	
D2	4P	ON-(OFF)
E1	2P	
E2	4P	(ON)-ON
F1	3P	
F2	6P	ON-OFF-(ON)
H1	3P	
H2	6P	

Color Rocker/Housing	
B	Black
W	White
I	Ivory
H	Gray
S	Slate Gray

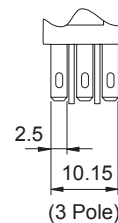
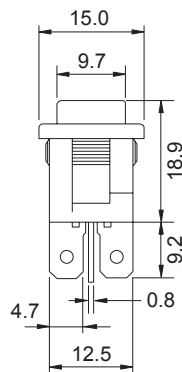
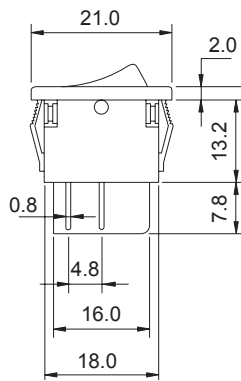
Stamp

1	2	3	4	5	6

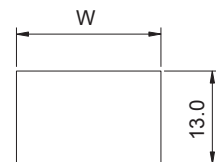
RoHS code
H = RoHS Compliant

()....Momentary

JS-606Q-C2-B/B-6



W	Panel Thickness
19.2	0.75-1.25
19.4	1.25-2.0
19.8	2.0-3.0



JS-606Q-E2-S/S-1



JS-606Q-H2-W/W-1



JS-606Q-H2-S/S-1



JS-606Q-C2-H/H-1



JS-608 SERIES
SPECIFICATIONS

1. Rating: 10A 125/250 VAC
16A 250 VAC
2. Contact resistance: 30 mΩ(max.)
3. Insulation resistance: DC 500V 100MΩ(Min)
4. Dielectric strength: 2000 VAC/ 1minute
5. Safety approval:

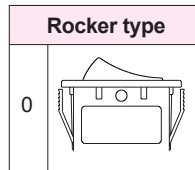
MATERIALS

1. Housing Nylon #66 UL 94V-2
2. Rocker: Nylon #66UL 94V-2
3. Terminal: Copper alloy Sn or Ag Plated
4. Contactor: Ag-cd-O alloy
5. Spring: Music wire

JS-608 -

Mounting hole	
R	22x28m/m
F	22x30m/m

Circuit	
A	4P ON-OFF
B	6P ON-ON
C	6P ON-OFF-ON
D	4P (ON)-OFF
F	6P (ON)-ON
G	6P (ON)-OFF-(ON)
H	6P ON-OFF-(ON)
AL	4P illuminated
BL	6P illuminated

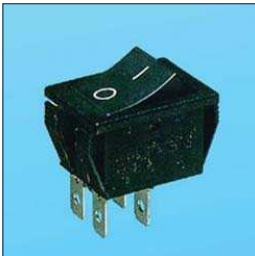


Color Rocker/Housing	
B	Black
W	White
R	Red
I	Ivory
G	Green
H	Gray
Y	Yellow

Stamp						
1	2	3	4	5	6	7

RoHS code
H = RoHS Compliant

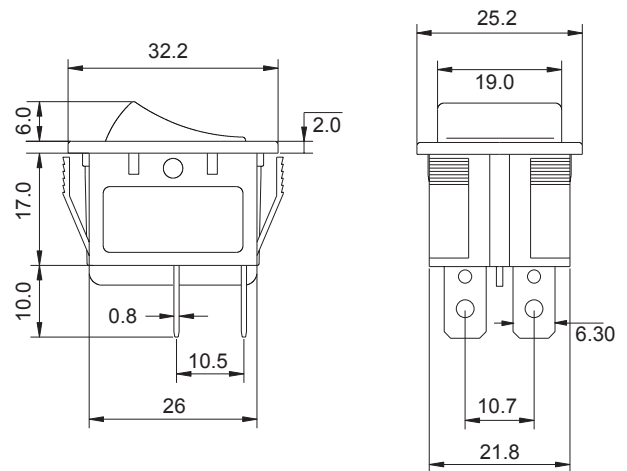
JS-608RA-O-B/ B-2



JS-608FG-O-R/ W-4



JS-608RAL-O-R/ W-2



R	W	PANEL THICKNESS	F	W	PANEL THICKNESS
	28.0	0.75~1.25		30.0	0.75~1.25
	28.2	1.25~2.0		30.2	1.25~2.0
	28.5	2.0~3.0		30.5	2.0~3.0

