

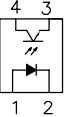
Part Number	Pin Configuration	Safety Standards	Features	Absolute Maximum Ratings		Electrical Characteristics					
				Isolation Voltage(AC) Viso(Vrms)	Collector Emitter Voltage V _{CEO} (V)	CTR(%)		V(sat) (V)		Response Time (μs) Typ.	
						IF=±1mA, V _{CE} =5V	IF=±20mA, I _C =1mA	Typ.	Max.	Tr	Tf
Min.	Max.	Typ.	Max.	Tr	Tf						
KB814		UL NO.E225308 & VDE0884. NO.40006364	High isolation voltage AC input response	5000	35	20	300	0.1	0.2	4	3

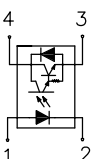
Part Number	Pin Configuration	Safety Standards	Features	Absolute Maximum Ratings		Electrical Characteristics					
				Isolation Voltage(AC) Viso(Vrms)	Collector Emitter Voltage V _{CEO} (V)	CTR(%)		V(sat) (V)		Response Time (μs) Typ.	
						IF=±1mA, V _{CE} =2V	IF=±20mA, I _C =5mA	Typ.	Max.	Tr	Tf
Min.	Max.	Typ.	Max.	Tr	Tf						
KB8141		UL NO.E225308 & VDE0884. NO.40006364	High isolation voltage High sensitivity AC input response	5000	35	600	7500	0.8	1	60	53

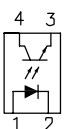
Part Number	Pin Configuration	Safety Standards	Features	Absolute Maximum Ratings		Electrical Characteristics					
				Isolation Voltage(AC) Viso(Vrms)	Collector Emitter Voltage V _{CEO} (V)	CTR(%)		V(sat) (V)		Response Time (μs) Typ.	
						IF=1mA, V _{CE} =2V	IF=20mA, I _C =5mA	Typ.	Max.	Tr	Tf
Min.	Max.	Typ.	Max.	Tr	Tf						
KB815		UL NO.E225308 & VDE0884. NO.40006364	High isolation voltage High sensitivity	5000	35	600	7500	0.8	1	60	53

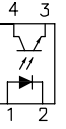
Part Number	Pin Configuration	Safety Standards	Features	Absolute Maximum Ratings		Electrical Characteristics					
				Isolation Voltage(AC) Viso(Vrms)	Collector Emitter Voltage V _{CEO} (V)	CTR(%)		V(sat) (V)		Response Time (μs) Typ.	
						IF=5mA, V _{CE} =5V	IF=20mA, I _C =1mA	Typ.	Max.	Tr	Tf
Min.	Max.	Typ.	Max.	Tr	Tf						
KB816		UL NO.E225308 & VDE0884. NO.40006364	High isolation voltage High collector-emitter voltage	5000	70	50	600	0.1	0.2	4	3

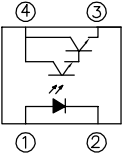
Part Number	Pin Configuration	Safety Standards	Features	Absolute Maximum Ratings		Electrical Characteristics					
				Isolation Voltage(AC) Viso(Vrms)	Collector Emitter Voltage V _{CEO} (V)	CTR(%)		V(sat) (V)		Response Time (μs) Typ.	
						IF=5mA, V _{CE} =5V	IF=20mA, I _C =1mA	Typ.	Max.	Tr	Tf
Min.	Max.	Typ.	Max.	Tr	Tf						
KB817		UL NO.E225308 & VDE0884. NO.40006364	High isolation voltage	5000	35	50	600	0.1	0.2	4	3

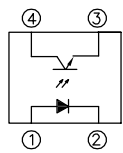
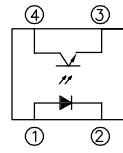
Part Number	Pin Configuration	Safety Standards	Features	Absolute Maximum Ratings		Electrical Characteristics					
				Isolation Voltage(AC) Viso(Vrms)	Collector Emitter Voltage V _{CEO} (V)	CTR(%)		V(sat) (V)		Response Time (μs) Typ.	
						IF=5mA, V _{CE} =5V	IF=20mA, I _C =1mA	V _{CE} =2V, I _C =2mA, R _L =100Ω	Min.	Max.	Typ.
KB851		VDE0884. NO.40006364	High collector-emitter Voltage	5000	350	-	-	0.1	0.3	4	3

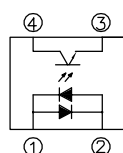
Part Number	Pin Configuration	Safety Standards	Features	Absolute Maximum Ratings		Electrical Characteristics					
				Isolation Voltage(AC) Viso(Vrms)	Collector Emitter Voltage V _{CEO} (V)	CTR(%)		V(sat) (V)		Response Time (μs) Typ.	
						IF=1mA, V _{CE} =2V	IF=20mA, I _C =100mA	V _{CE} =2V, I _C =20mA, R _L =1000Ω	Min.	Max.	Typ.
KB852		VDE0884. NO.40006364	High collector-emitter voltage High sensitivity	5000	350	1000	15000	-	1.2	100	20

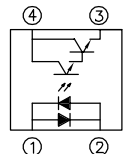
Part Number	Pin Configuration	Safety Standards	Features	Absolute Maximum Ratings		Electrical Characteristics					
				Isolation Voltage(AC) Viso(Vrms)	Collector Emitter Voltage V _{CEO} (V)	CTR(%)		V(sat) (V)		Response Time (μs) Typ.	
						IF=5mA, V _{CE} =5V	IF=20mA, I _C =1mA	V _{CE} =2V, I _C =2mA, R _L =100Ω	Min.	Max.	Typ.
KB817-B		UL NO.E225308 & VDE0884. NO.40006364	High isolation voltage SMD Type	5000	35	50	600	0.1	0.2	4	3

Part Number	Pin Configuration	Safety Standards	Features	Absolute Maximum Ratings		Electrical Characteristics					
				Isolation Voltage(AC) Viso(Vrms)	Collector Emitter Voltage V _{CEO} (V)	CTR(%)		V(sat) (V)		Response Time (μs) Typ.	
						IF=5mA, V _{CE} =5V	IF=20mA, I _C =1mA	V _{CE} =2V, I _C =2mA, R _L =100Ω	Min.	Max.	Typ.
KB817-M		UL NO.E225308 & VDE0884. NO.40006364	High isolation voltage	5000	35	50	600	0.1	0.2	4	3

Part Number	Pin Configuration	Safety Standards	Features	Absolute Maximum Ratings		Electrical Characteristics					
				Isolation Voltage(AC) Viso(Vrms)	Collector Emitter Voltage V _{CEO} (V)	CTR(%)		V(sat) (V)		Response Time (μs) Typ.	
						IF=1mA, V _{CE} =2V	IF=20mA, I _C =1mA	V _{CE} =2V, I _C =2mA, R _L =100Ω	Min.	Max.	Typ.
KB355NT		UL NO.E225308 & VDE0884. NO.40017614	High current transfer ratio Small package size	3750	35	600	7500	0.8	1.0	60	53

Part Number	Pin Configuration	Safety Standards	Features	Absolute Maximum Ratings		Electrical Characteristics					
				Isolation Voltage(AC) Viso(Vrms)	Collector Emitter Voltage V _{CEO} (V)	CTR(%)		V(sat) (V)		Response Time (μs) Typ.	
						IF=5mA, V _{CE} =5V	IF=20mA, I _C =1mA	V _{CE} =2V, I _C =2mA, R _L =100Ω	Min.	Max.	Typ.
KB356NT		UL NO.E225308 & VDE0884. NO.40017614	High collector-emitter Voltage Small package size	3750	80	50	600	0.1	0.2	6	8
KB357NT		UL NO.E225308 & VDE0884. NO.40017614	Small package size	3750	35	50	600	-	0.2	4	3

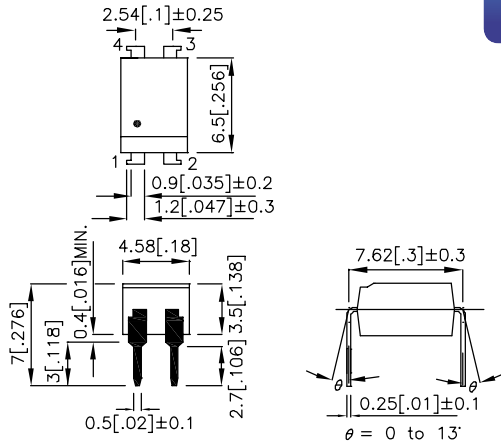
Part Number	Pin Configuration	Safety Standards	Features	Absolute Maximum Ratings		Electrical Characteristics					
				Isolation Voltage(AC) Viso(Vrms)	Collector Emitter Voltage V _{CEO} (V)	CTR(%)		V(sat) (V)		Response Time (μs) Typ.	
						IF=±1mA, V _{CE} =5V	IF=±20mA, I _C =1mA	V _{CE} =2V, I _C =2mA, R _L =100Ω	Min.	Max.	Typ.
KB354NT		UL NO.E225308 & VDE0884. NO.40017614	AC.input response Small package size	3750	35	20	400	0.1	0.2	4	3

Part Number	Pin Configuration	Safety Standards	Features	Absolute Maximum Ratings		Electrical Characteristics					
				Isolation Voltage(AC) Viso(Vrms)	Collector Emitter Voltage V _{CEO} (V)	CTR(%)		V(sat) (V)		Response Time (μs) Typ.	
						IF=±1mA, V _{CE} =2V	IF=±20mA, I _C =1mA	V _{CE} =2V, I _C =2mA, R _L =100Ω	Min.	Max.	Typ.
KB3541NT		UL NO.E225308 & VDE0884. NO.40017614	AC.input response High sensitivity Small package size	3750	35	450	7400	0.8	1.0	60	53

KB814, KB8141, KB815, KB816, KB817, KB851, KB852



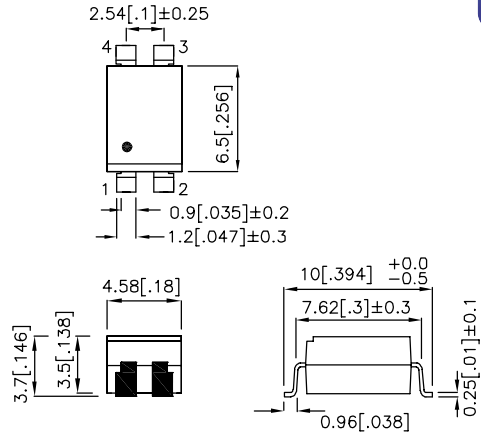
KB814



KB817-B



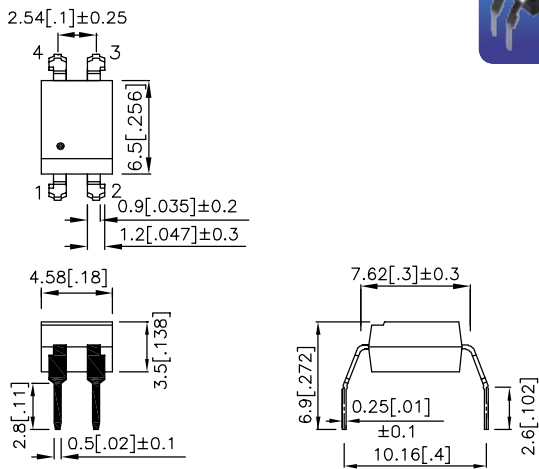
KB817-B



KB817-M



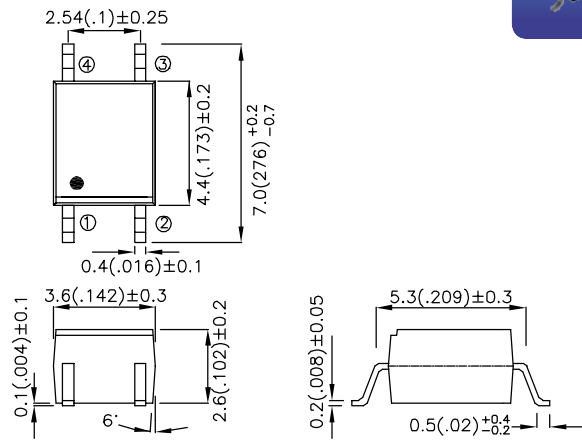
KB817-M



KB355NT, KB356NT, KB357NT, KB354NT, KB3541NT



KB355NT



NOTES:
 1. All dimensions are in millimeters(inches).
 2. Tolerance is ±0.5mm(0.02") unless otherwise noted.