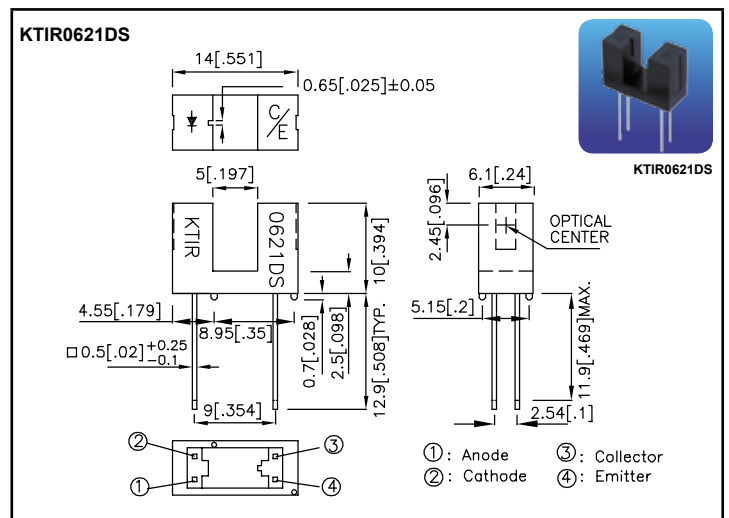
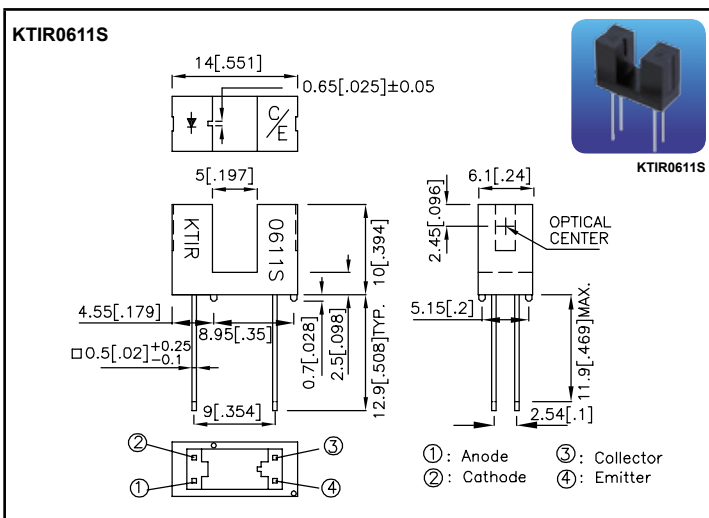
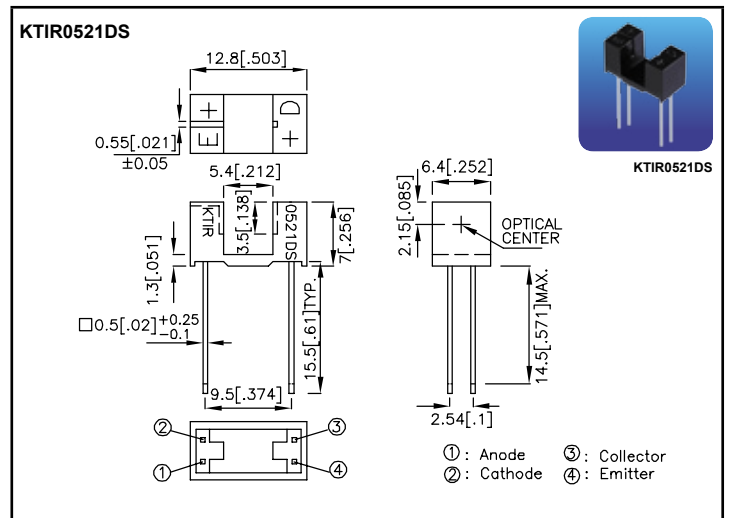
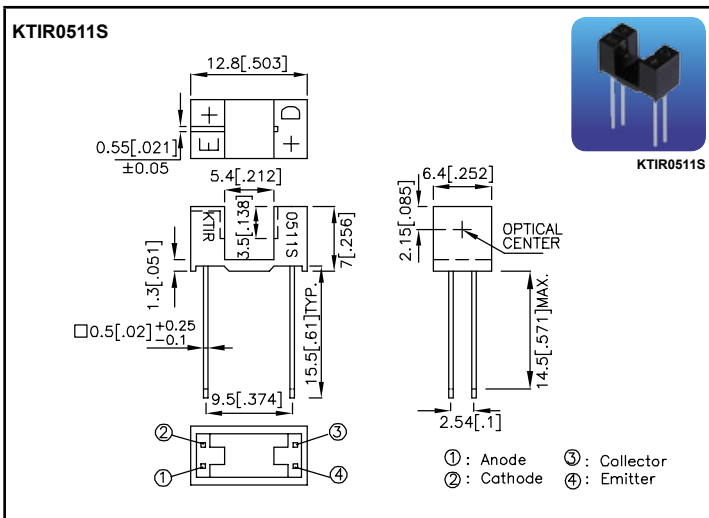
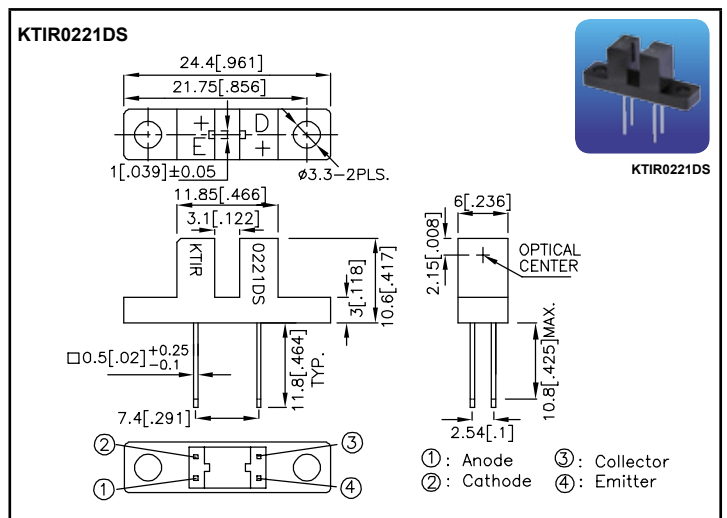
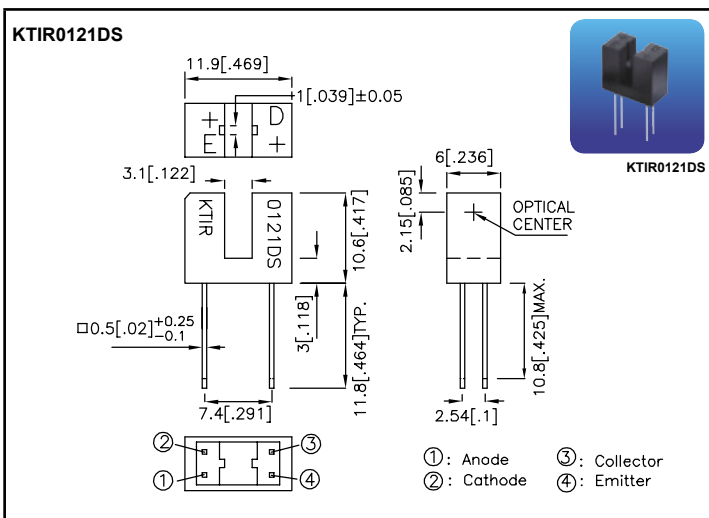
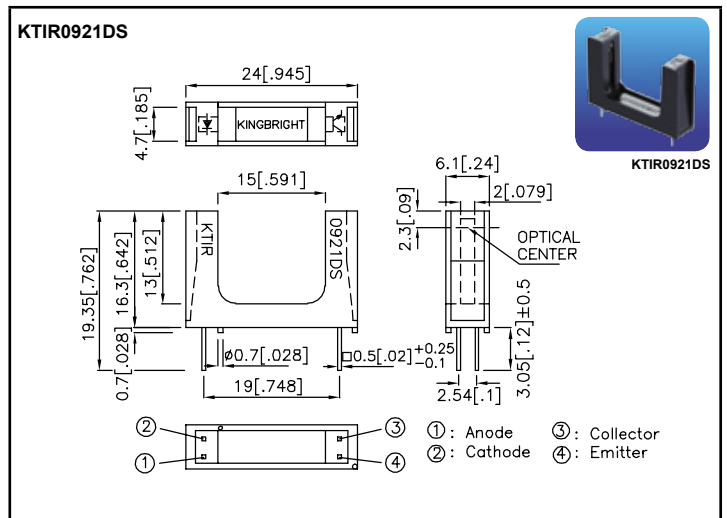
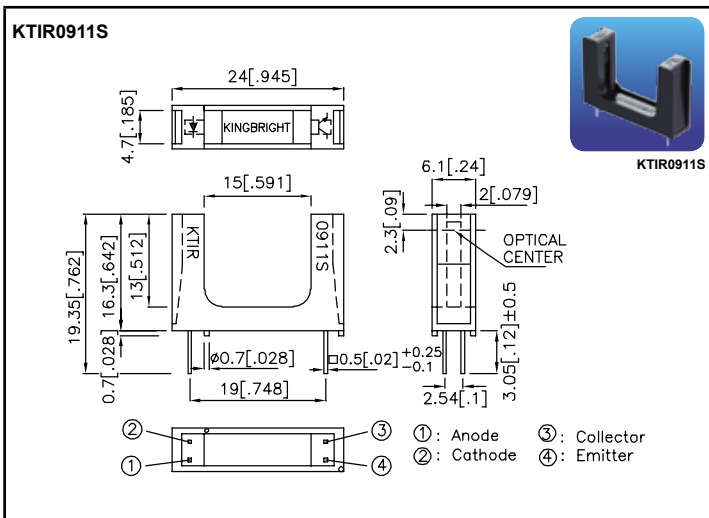


Part Number	Pin Configuration	Material	λ_P (nm)	CTR			$V_{CE(SAT)}$			Rise Time (μs)	Fall Time (μs)
				IF(mA)	$V_{CE(V)}$	Typ.(%)	IF(mA)	IC(mA)	Max.(V)	Typ.	Typ.
KTIR0511S		GaAs/SiC	940	20	5	10	40	1	0.4	5	4
KTIR0521DS		GaAs/SiC	940	1	2	180	2	1	1	90	80
KTIR0611S		GaAs/SiC	940	20	5	14	40	1	0.4	5	4
KTIR0621DS		GaAs/SiC	940	1	2	200	2	1	1	90	80



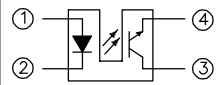
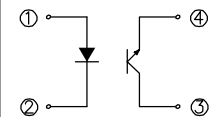
NOTES:
 1. All dimensions are in millimeters(inches).
 2. Tolerance is $\pm 0.25\text{mm}(0.01\text{'})$ unless otherwise noted.

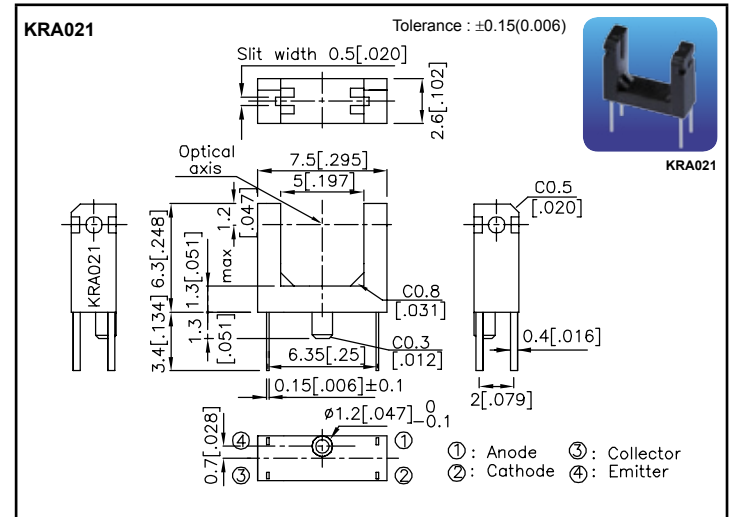
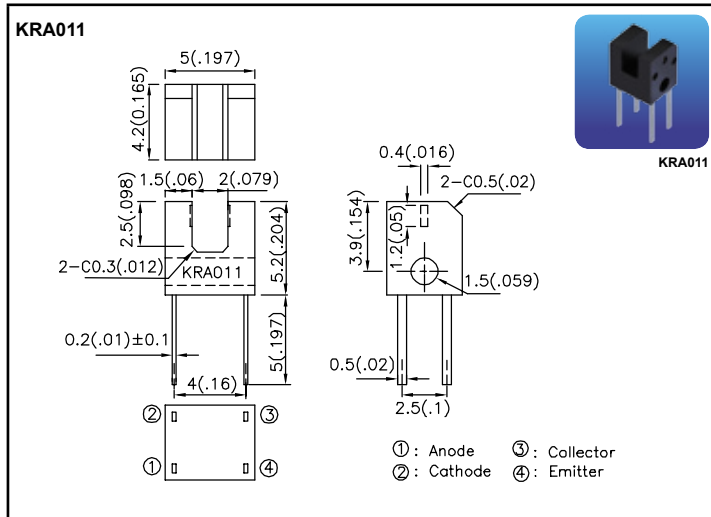
Part Number	Pin Configuration	Material	λ_P (nm)	CTR			$V_{CE(SAT)}$			Rise Time (μs)	Fall Time (μs)
				IF(mA)	$V_{CE(V)}$	Typ.(%)	IF(mA)	IC(mA)	Max.(V)	Typ.	Typ.
KTIR0911S		GaAs/SiC	940	20	5	9.5	40	1	0.4	5	4
KTIR0921DS		GaAs/SiC	940	1	2	120	2	1	1	90	80
KTIR0121DS		GaAs/SiC	940	1	2	600	2	1	1	90	80
KTIR0221DS		GaAs/SiC	940	1	2	600	2	1	1	90	80



NOTES:

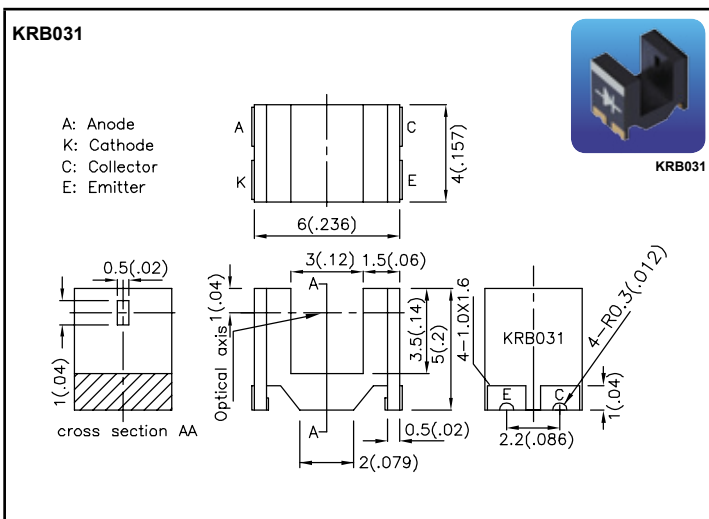
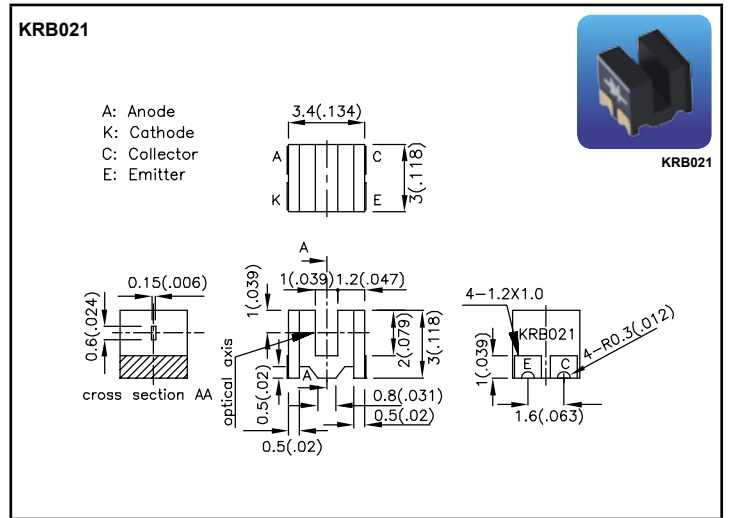
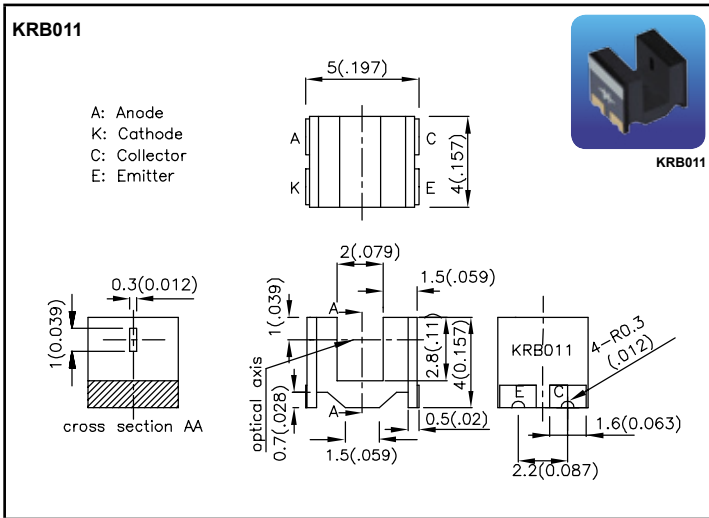
1. All dimensions are in millimeters (inches).
2. Tolerance is ±0.25mm (0.01") unless otherwise noted.

Part Number	Pin Configuration	Material	λP (nm)	CTR			$V_{CE(SAT)}$			Rise Time (μs)	Fall Time (μs)
				IF(mA)	$V_{CE(V)}$	Typ.(%)	IF(mA)	IC(mA)	Max.(V)	Typ.	Typ.
KRA011		GaAs/SiC	● 940	5	5	8	10	0.04	0.4	50	50
KRA021		GaAs/SiC	● 940	10	2	18	20	0.25	0.4	15	15



NOTES:
 1. All dimensions are in millimeters(inches).
 2. Tolerance is ±0.25mm(0.01") unless otherwise noted.

Part Number	Pin Configuration	Material	λ P (nm)	IC (μ A)		V _{CE(SAT)}			Rise Time (μ s)	Fall Time (μ s)
				V _{CE} =5V, I _F =5mA		I _F (mA)	I _C (mA)	Max.(V)	Typ.	Typ.
				Typ.						
KRB011		GaAs/SiC	● 940	650		20	0.05	0.4	8	10
KRB021		GaAs/SiC	● 940	500		20	0.05	0.4	8	10
KRB031		GaAs/SiC	● 940	150		20	0.05	0.4	8	10



NOTES:

1. All dimensions are in millimeters(inches).
2. Tolerance is $\pm 0.15\text{mm}(0.006\text{")}$ unless otherwise noted.