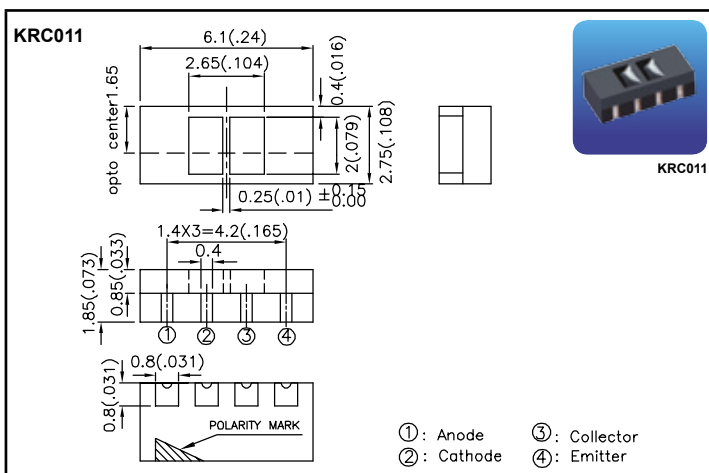
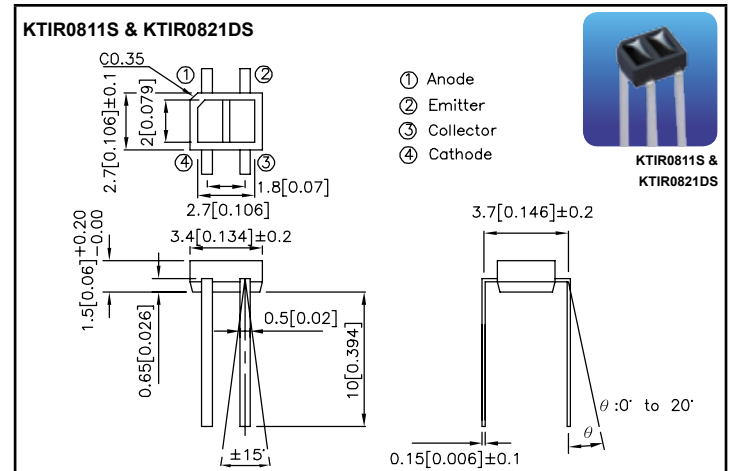
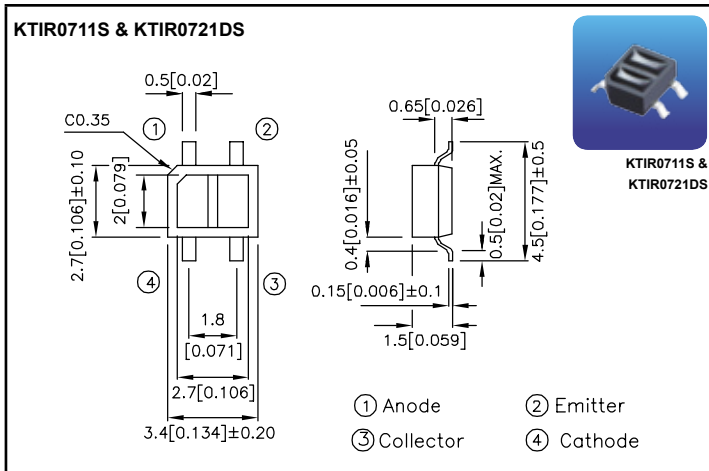


Part Number	Pin Configuration	Material	λ_P (nm)	IC (μA)			$V_{CE(SAT)}$			Rise Time (μs)	Fall Time (μs)
				$V_{CE}=2\text{V}, I_F=4\text{mA}$			IF(mA)	IC(mA)	Max.(V)	Typ.	Typ.
				Min.	Typ.	Max.					
KTIR0711S		GaAs/SiC	● 940	10	-	400	-	-	-	20	20
KTIR0721DS		GaAs/SiC	● 940	-	3000	-	-	-	-	80	70
KTIR0811S		GaAs/SiC	● 940	10	-	400	-	-	-	20	20
KTIR0821DS		GaAs/SiC	● 940	-	3000	-	-	-	-	80	70

Part Number	Pin Configuration	Material	λ_P (nm)	IC (μA)			$V_{CE(SAT)}$			Rise Time (μs)	Fall Time (μs)
				$V_{CE}=5\text{V}, I_F=20\text{mA}$			IF(mA)	IC(mA)	Max.(V)	Typ.	Typ.
				Min.	Typ.	Max.					
KRC011		GaAs/SiC	● 940	10	-	300	-	-	-	20	20



NOTES:
 1. All dimensions are in millimeters(inches).
 2. Tolerance is $\pm 0.25\text{mm}(0.01\text{'})$ unless otherwise noted.