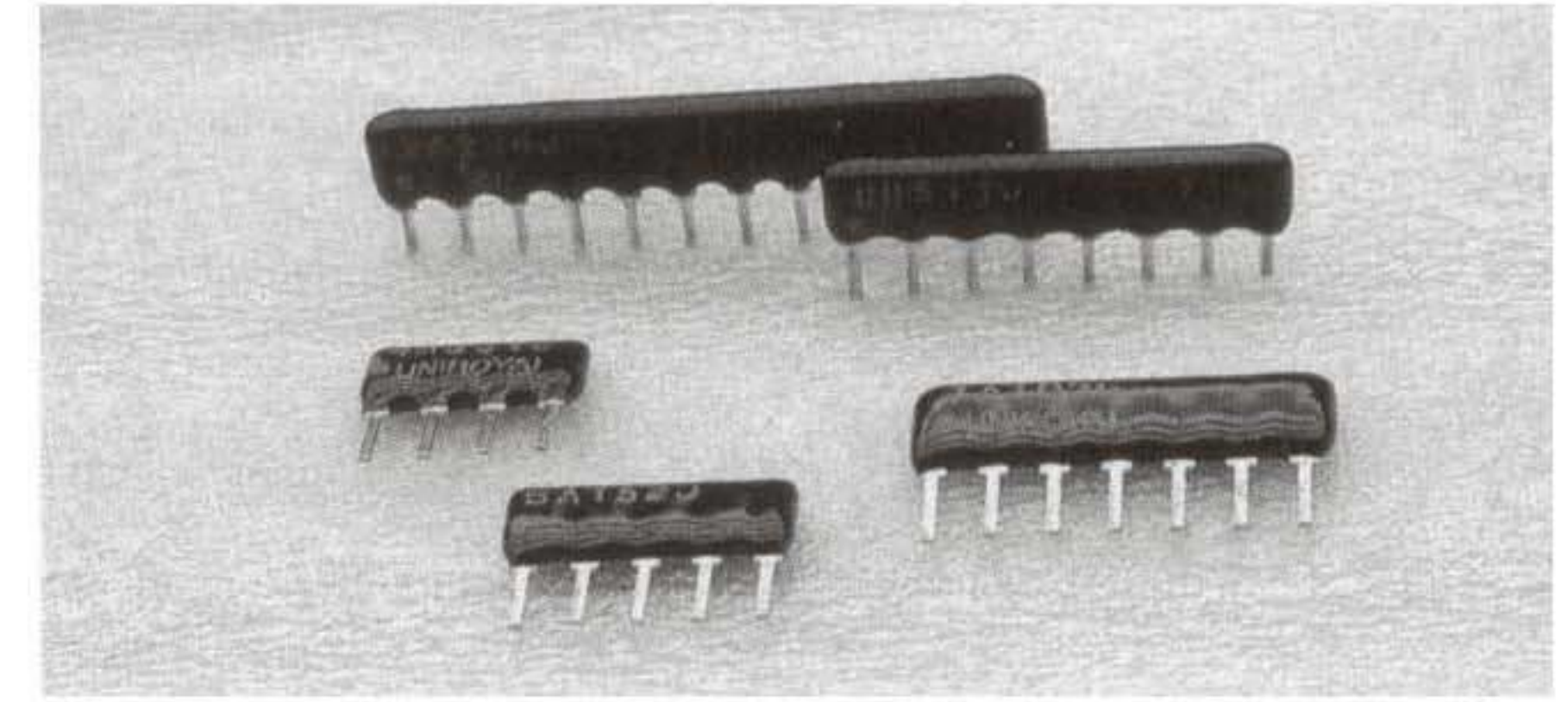


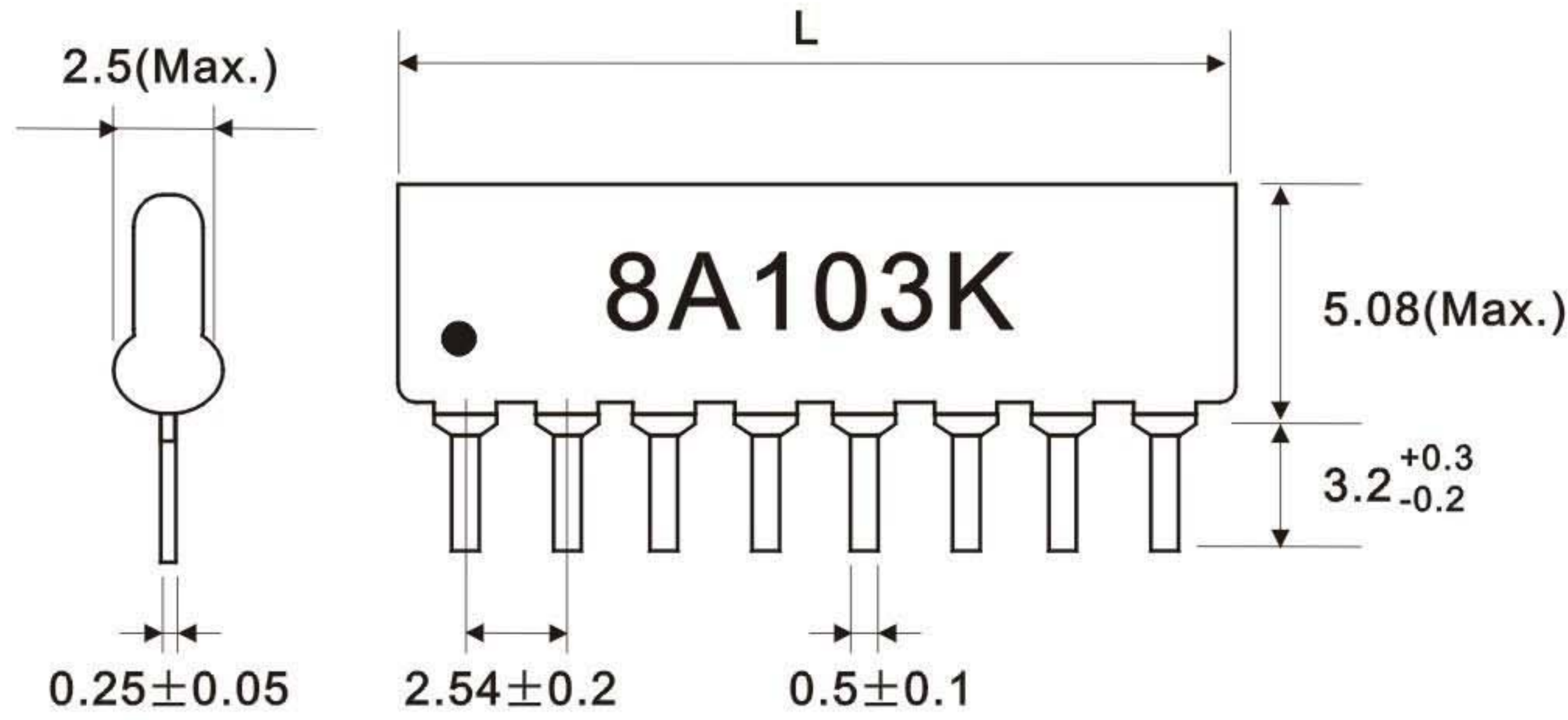
CN Series 排列電容器

Description

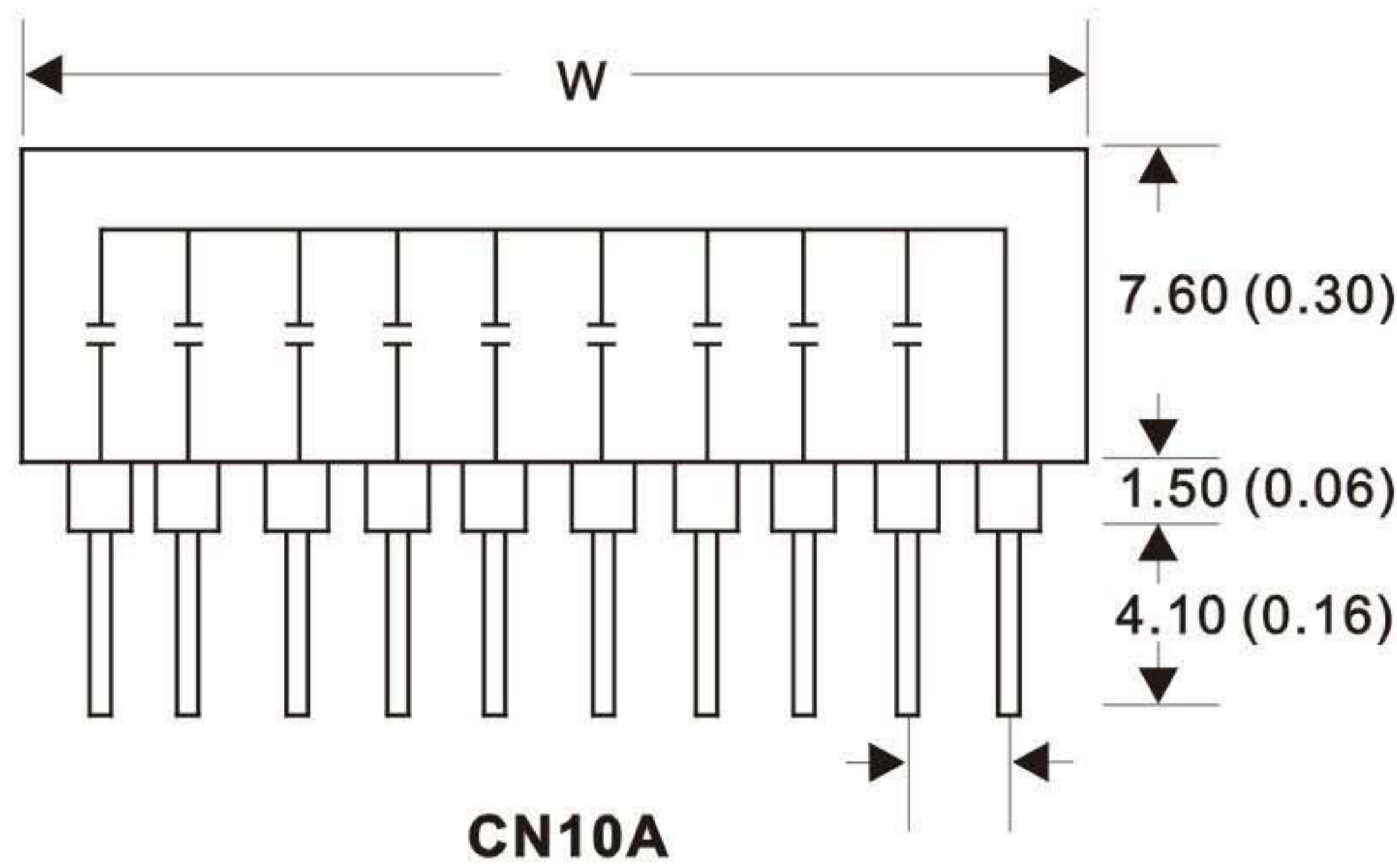
ZONKAS Capacitor Networks are designed to meet a variety of application requirements in a compact, high reliable conformal coated, single-in-line package (SIP Package)



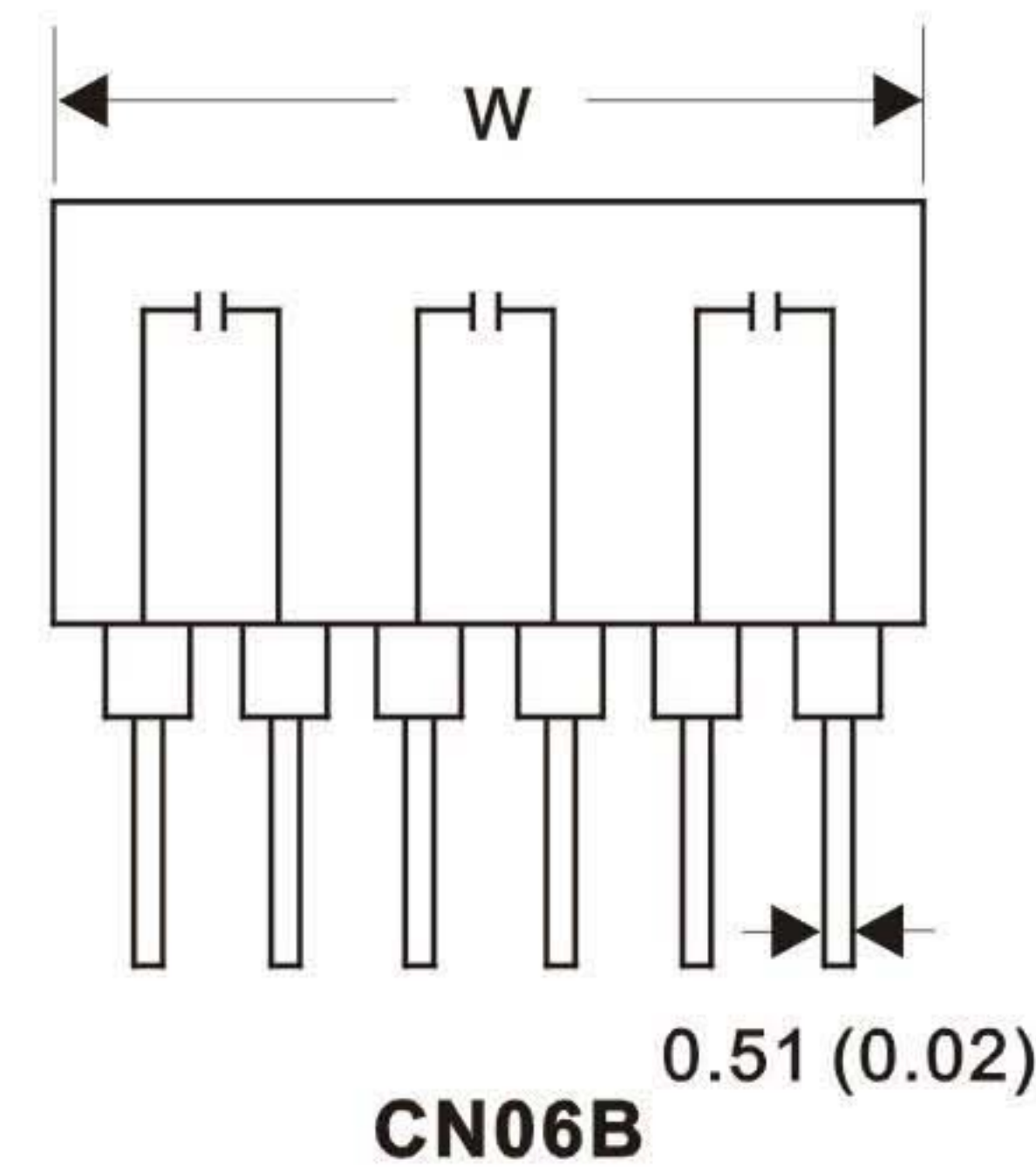
Dimension



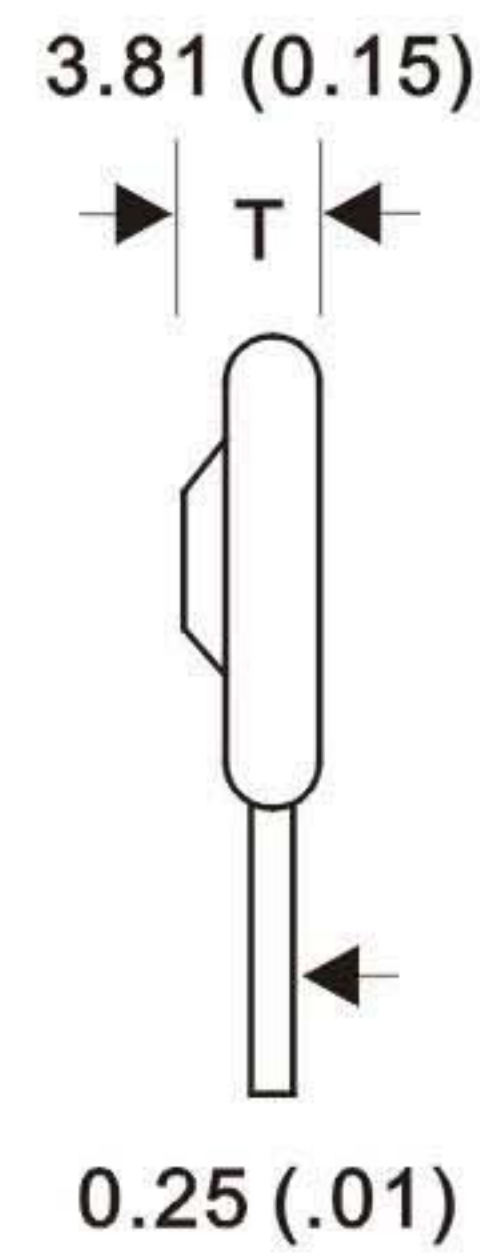
■ The mark ● to indicate the 1st pin.



CN10A



CN06B



ALL Dimensions are in mm (inches)

Size Code	CN05A	CN06A CNO6B	CN07A	CN08A CN08B	CN09A	CN10A CN10B	CN11A	CN12A CN12B
W (max.)	13.8 (0.54)	16.3 (0.64)	18.8 (0.74)	21.4 (0.84)	23.9 (0.94)	26.4 (1.04)	29.0 (1.14)	31.5 (1.24)

HOW to Order

ZONKAS SERIES _____
SIZE CODE _____

DIELECTRIC CODE

CG: NPO, COG (IB)
XR: X7R (2R1)
YV: Y5V (2E6)

CAPACITANCE CODE

0R5~0.5PF	103~10nF
010~1PF	103~0.01 μ F
100~10PF	104~100 n F
101~100PF	104~0.1 μ F
102~1000PF	105~1 μ F
102~1nF	106~10 μ F
102~0.001 μ F	107~100 μ F
103~10000PF	108~1000 μ F

TOLERANCE CODE

Code	Tolerance	Code	Tolerance
J	±5%	M	±20%
K	±10%	Z	+80 -20 %

RATED VOLTAGE CODE

1A~10VDC	2A~100VDC
1C~16VDC	2E~250VDC
1E~25VDC	2H~500VDC
1H~50VDC	3A~1000VDC

PACKING

B: Bulk
T: Taping

CN IOA XR 103 K B 1H