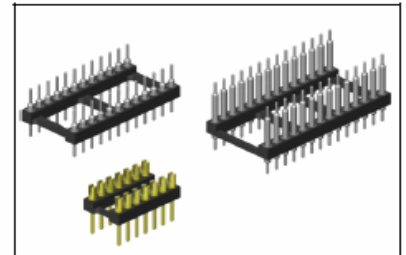
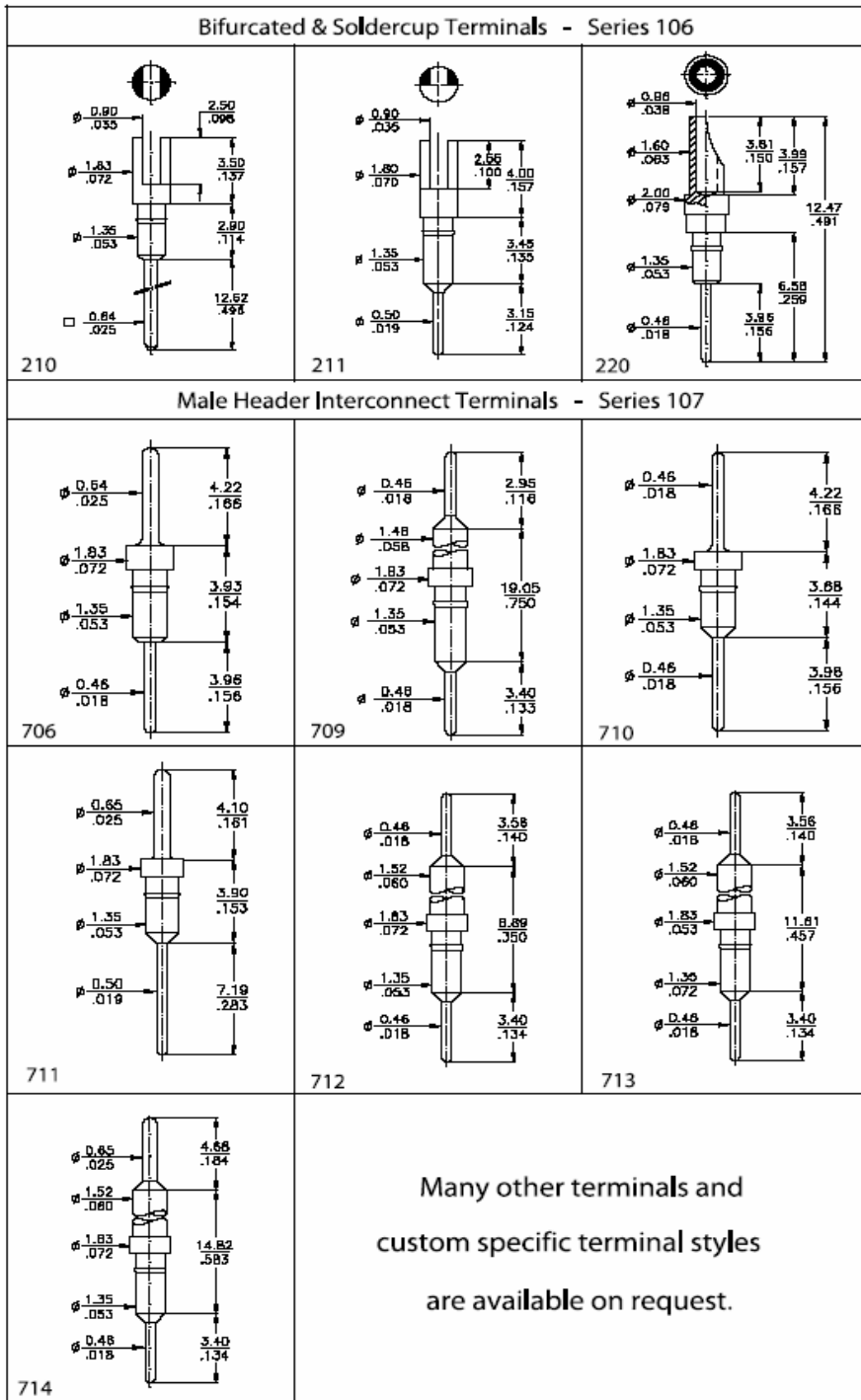
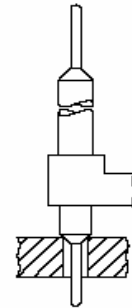


IC-Sockel

Serie 106/107

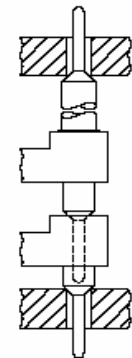


Application Examples



Possible Terminals:

706; 709; 710; 711; 712;
 713 ; 714



Possible Terminals:

706; 709; 710; 711; 712
 713; 714

Specifications

Refer to pages 13 & 31

How to order

XXX - XX X - XX - XXX X

Series	Nbr of contacts	Row spacing	Insulator body	Terminal style	Plating
106 = Bifurcated & soldercup Sockets 107 = Male Header Interconnect Sockets	see Series 100	2 = 5.08mm/.200" 3 = 7.62mm/.300" 4 = 10.16mm/.400" 6 = 15.24mm/.600" 9 = 22.86mm/.900"	10 = open frame Others on request	Series 106 = 210, 211, 220 Series 111 = 710 to 714 see drawings above Others on request	1 = tin (leadfree) 2 = gold